



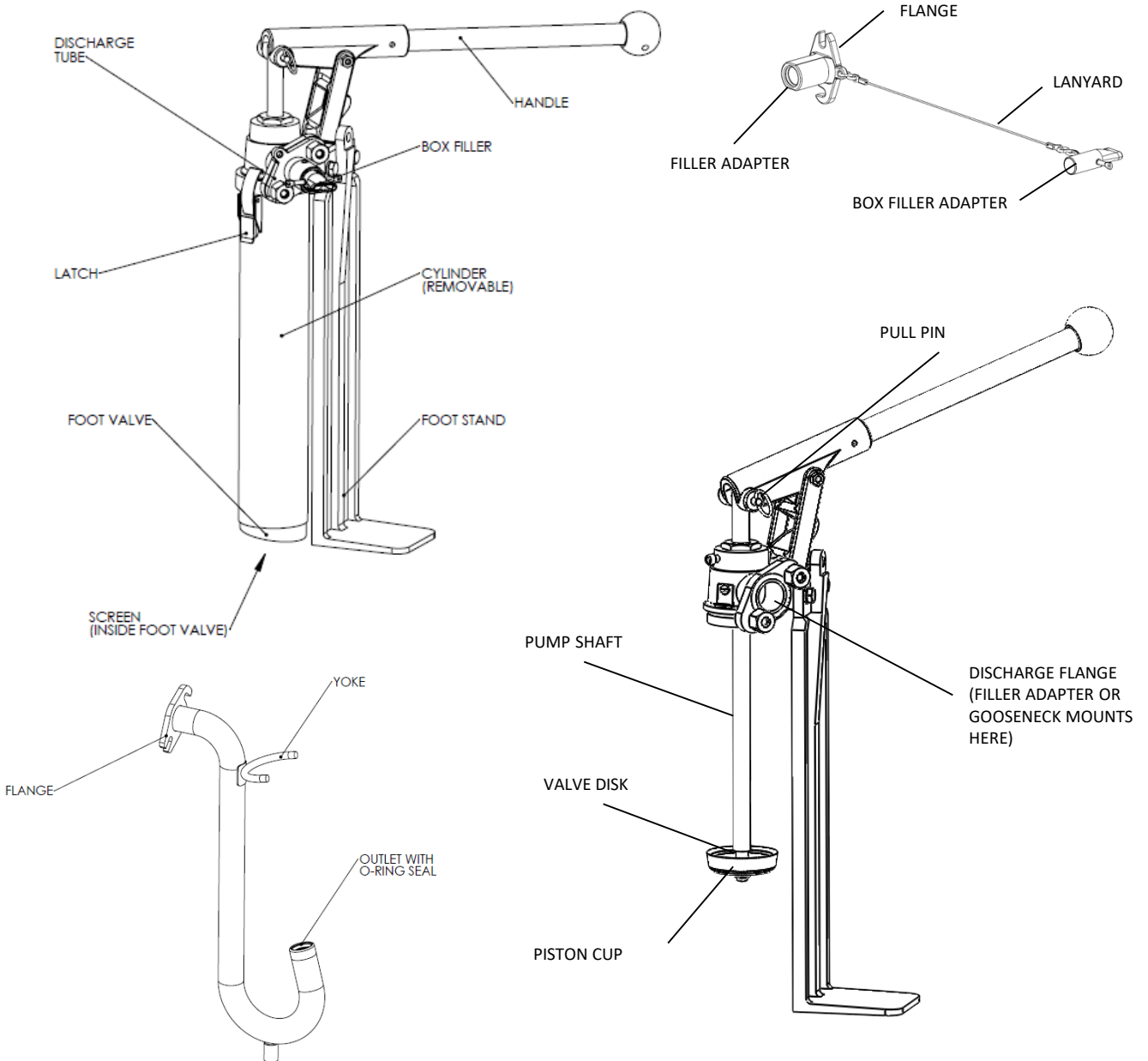
ASGARD

EasyClean™ Pump & Adapters

Operation and Maintenance Guide

1327 Northbrook Parkway, Suite 400
Suwanee, GA 30024
1-800-426-6256 | 770-243-2323

Models: LP01-AD (Pump) & FA01-AD (Filler), GN01-AD (Gooseneck)





1327 Northbrook Parkway, Suite 400
Suwanee, GA 30024
1-800-426-6256 | 770-243-2323

Loading Pump & Adapters

Operation and Maintenance Guide

Models: LP01-AD (Pump), FA0-AD (Filler) & GN01-AD (Gooseneck)

Operation

With its two nozzles, the Asgard Loading Pump fills nail spotters, automatic tapers, finishing boxes, corner applicators and the TapeTech® MudRunner®

The Filler Adapter (FA01-AD) or Gooseneck Adapter (GN01-AD) is secured to the pump by aligning the slots of the filler over the studs on the pump housing and tightening the two hex nuts. There is no additional gasket required between the Asgard Loading Pump and the adapters.

Place the loading pump in a standard bucket of joint compound, making sure the joint compound is well mixed and free of lumps. A new or freshly cleaned pump should be primed before use by pouring 1/2 cup (100 ml) of water into the outlet.

Once the pump is full of joint compound, no further priming is needed. Insert the tool to be filled onto the adapter and pump the handle to fill the tool with joint compound. The gooseneck is used to fill the Automatic Taper. Finishing Boxes and Nail Spotters are filled using the Box Filler Adapter. The Corner Applicators and MudRunner® are filled with the Filler Adapter.

Maintenance

The Loading Pump can be disassembled by disengaging the two clasps at the top of the pump and pulling the pump tube away from the main Loading Pump body. The plunger can then be removed by disengaging the quick release pin and sliding the plunger through the pump housing. The foot valve can be removed by twisting and pulling the valve down and away from the cylinder.

The pump can now be cleaned by using a water hose or water and a brush to remove the joint compound from the pump housing and plunger. Clean the gooseneck and filler adapters with water and a brush. Then, after the tools are clean, lightly oil any gaskets or moving parts with TapeTech® Bazooka® Oil or any light machine oil. To keep your Loading Pump in top working order, you may need to occasionally replace the screen and o-rings. These items should be checked when you clean your pump.

Common Wear Parts

Screen (Fine): 700032F
Screen (Coarse): 700033F
O-Ring: 729071
O-Ring: 729072
O-Ring: 709034

These wear parts are available as a maintenance kit - Model 501J.