



ASGARD

Extendable Box Handle

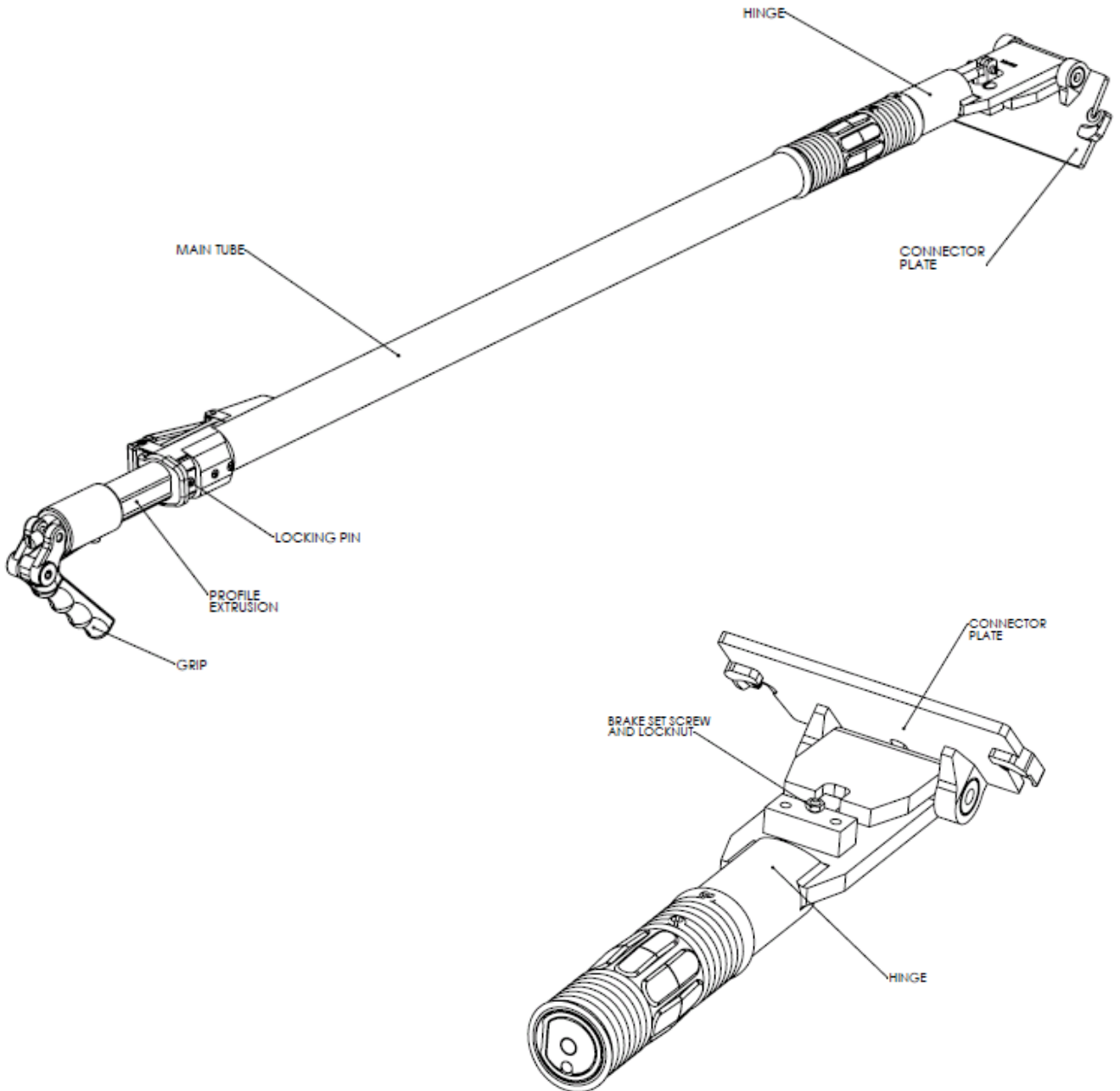
Operation and Maintenance Guide

1327 Northbrook Parkway, Suite 400

Suwanee, GA 30024

1-800-426-6256 | 678-892-2323

Model: FBHE-AD





ASGARD

Extendable Box Handle

Operation and Maintenance Guide

1327 Northbrook Parkway, Suite 400
Suwanee, GA 30024
1-800-426-6256 | 678-892-2323

Models: FBHE-AD

The Asgard Extendable Finishing Box Handle is an adjustable length finishing box handle that is compatible with all of the 7", 10" & 12" (175, 250, & 300mm) Classic, MAXXBOX and Power Assist finishing boxes. It is the strongest and longest adjustable brake handle available. This versatile tool replaces 2-3 standard finishing box handles.

Operation

The extendable box handle attaches to finishing boxes in the same manner as standard finishing box handles, with the wing nuts provided on the boxes. Slide the connector plate of the extendable handle on to the pressure plate of the box and tighten the wing nuts until the connection is secure.

The XTender™ handle has a grip near the bottom end for controlling the brake. Squeezing the grip locks the box in position, allowing the user to control the box when approaching the wall to start a joint or for "sweeping" the box off of the wall at the end of a joint.

Relaxing the pressure on the grip releases the brake, allowing the box to pivot freely.

The length of the XTender™ handle can be adjusted by sliding the two telescoping sections in or out. A locking mechanism is provided to hold the handle in each of its four positions. Press the release mechanism to allow the sections to slide, which adjusts the length of the tool. The mechanism will automatically catch in the next position. Continue the adjustment until the desired length is achieved.

The mechanism must be locked into one of the four notches on the inner telescoping section for the brake to work properly. Do not try to operate the handle between any of the four positions.

Maintenance

Clean the handle thoroughly with water, using a brush or hose. When all joint compound is removed from the tool, lubricate it lightly with TapeTech® Bazooka® Oil.